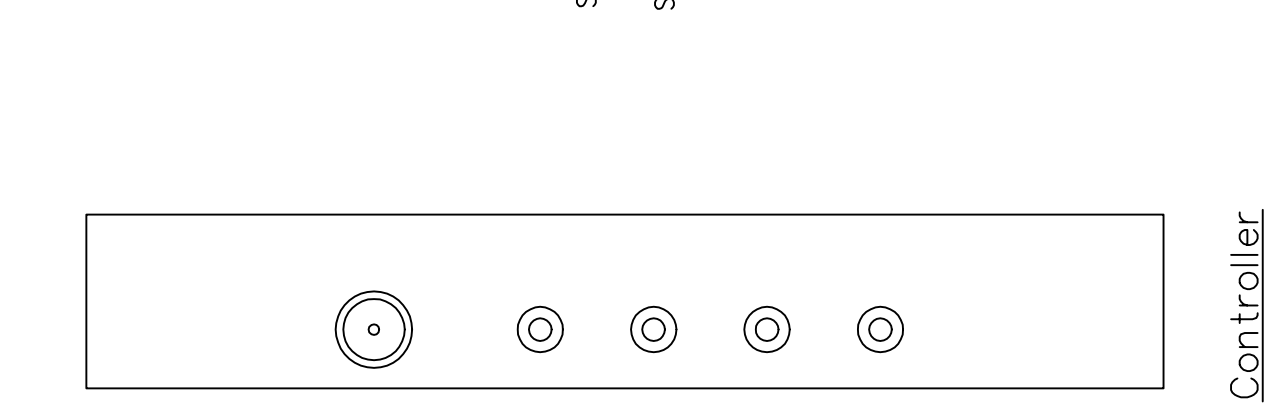
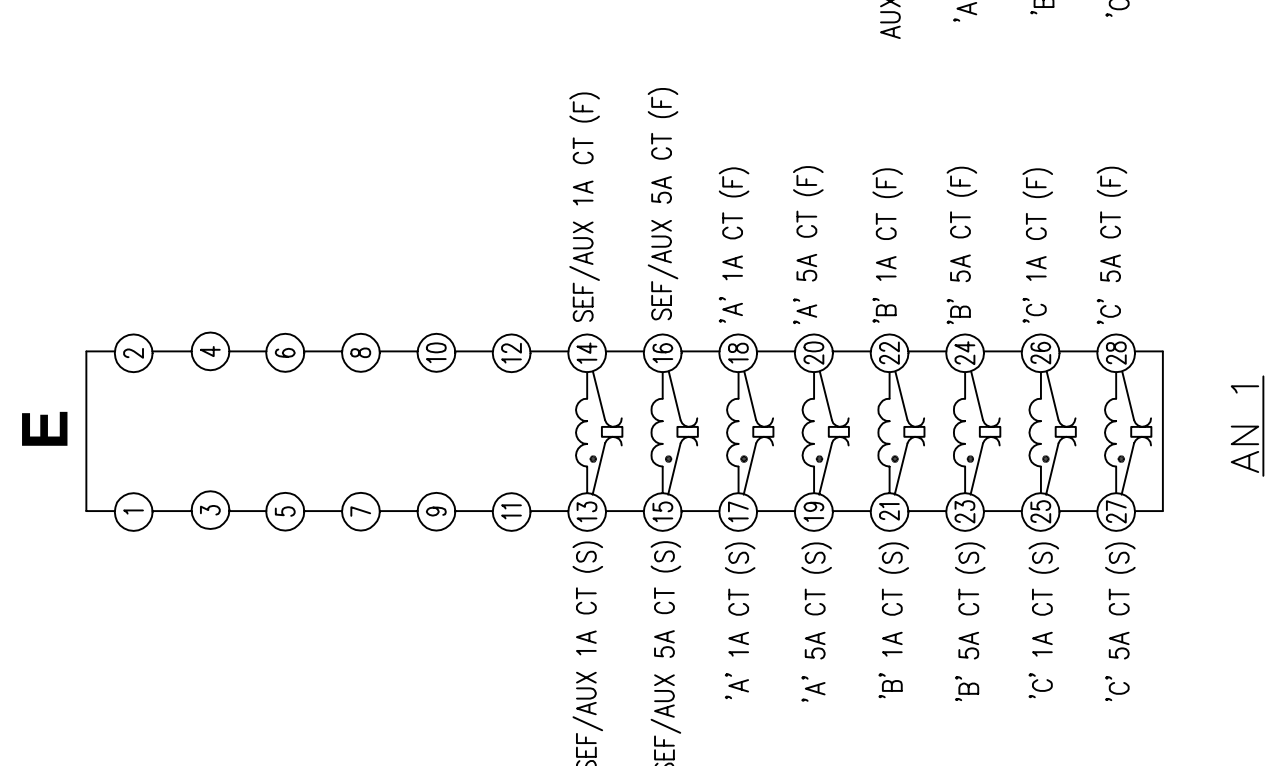
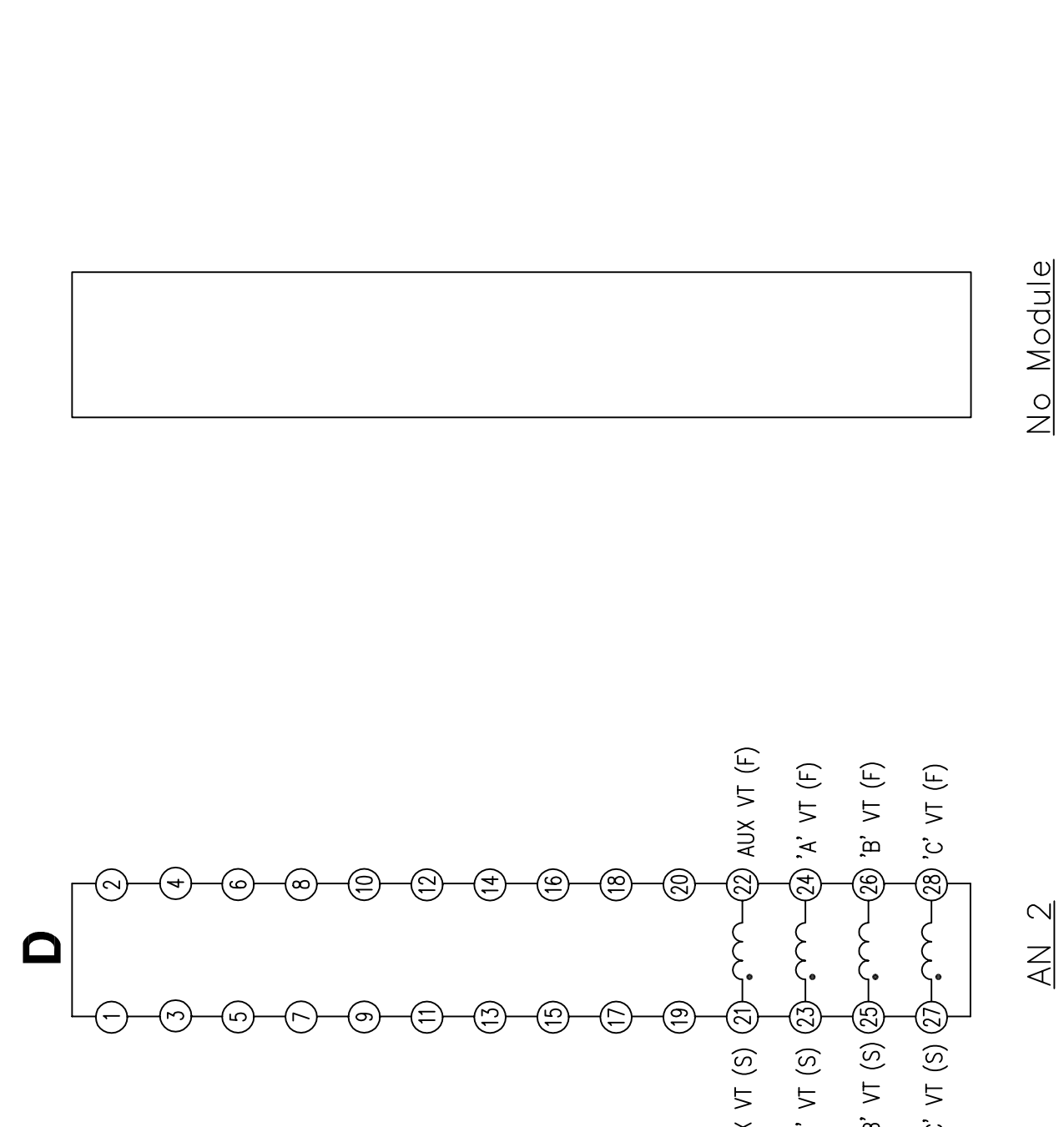
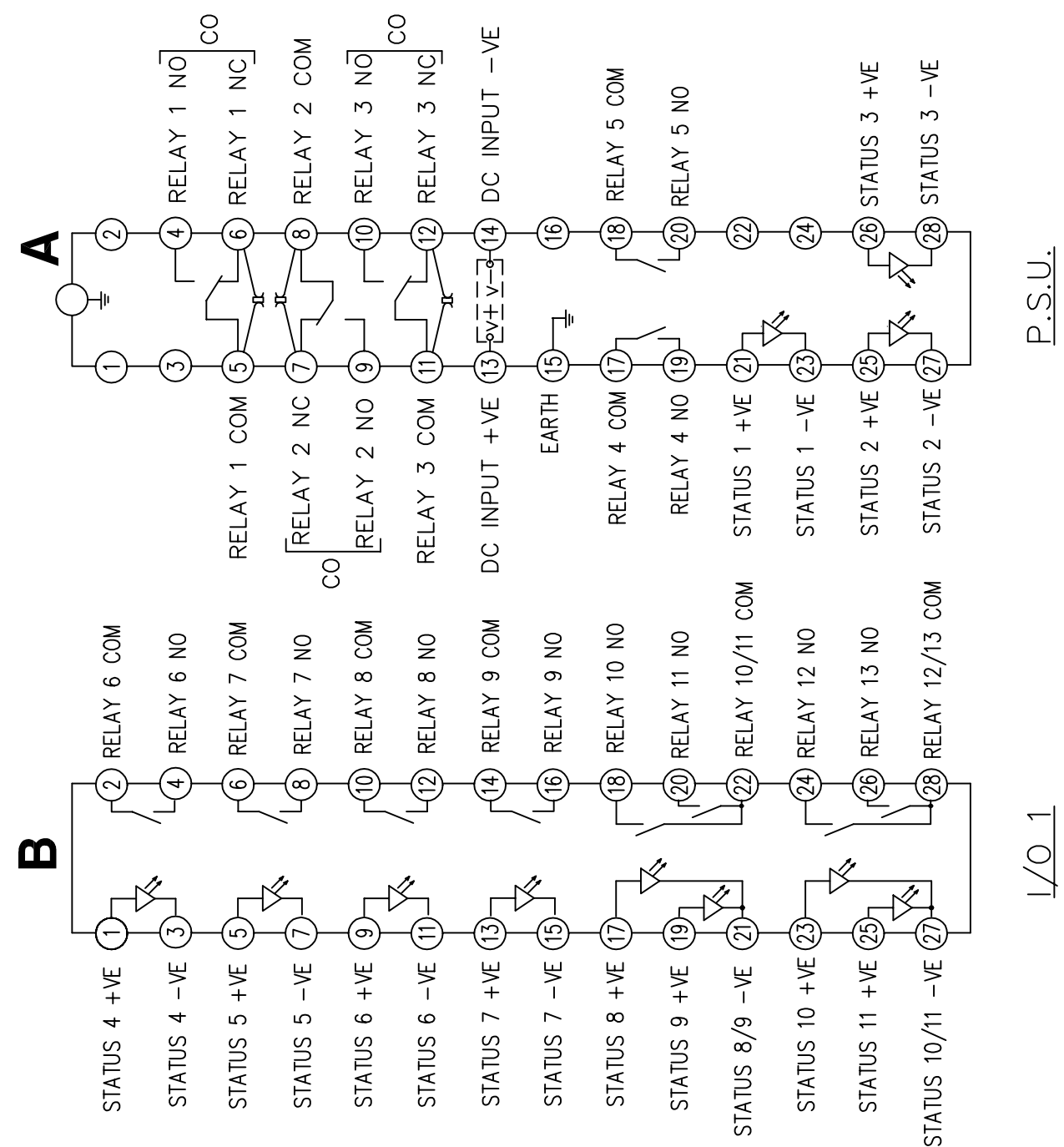
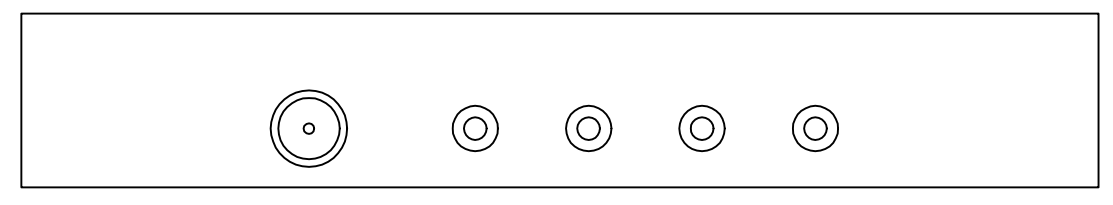


IF IN DOUBT ASK
DO NOT SCALE



No. Module Fitted



P.S.U.

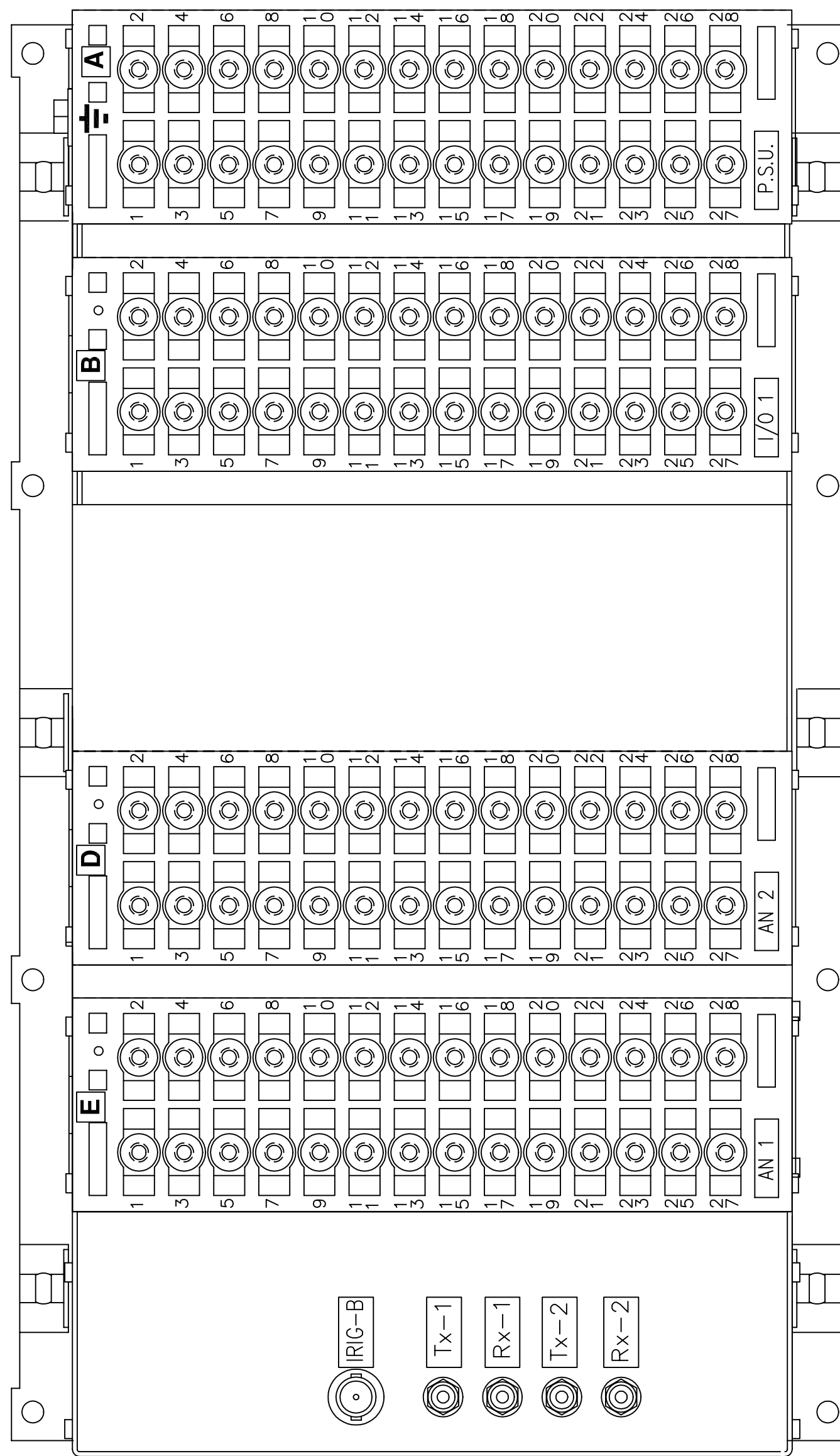
I/O 1

AN 2

AN 1

Controller Module
SEE NOTE 3

MODULE LABEL KEY	
ANALOGUE MODULE	AN 1 etc
INPUT/OUTPUT MODULE	I/O 1 etc
P.S.U. & BASIC I/O MODULE	P.S.U.



RELAY VIEWED FROM REAR

- NOTES
- TERMINALS RECOMMENDED ARE PRE INSULATED & MUST BE CRIMPED USING APPROVED TOOLING. AMP PIDG OR PLASTI GRIP FUNNEL ENTRY (RING TONGUE) FOR M4 FIXING STUD.
 - FOR OUTLINE & DRILLING DRG SEE 2995X10013 (A4).
 - IRIG-B & FIBRE OPTIC CONNECTORS MUST BE DISCONNECTED & FIXING NUTS REMOVED BEFORE WITHDRAWING CONTROLLER MODULE.

SUPPLIER	AMP	CABLE SIZE
AMP	342103	0.25-1.6 SQ MM
AMP	342143	1.0-2.6 SQ MM.

OR ANY OTHER MANUFACTURERS EQUIVALENT TERMINAL.

ABBREVIATIONS	
CT-CURRENT INPUTS	
VT-VOLTAGE INPUTS	
SI-STATUS INPUTS	
CO-CHANGE OVER OUTPUT CONTACTS	
NO-NORMALLY OPEN OUTPUT CONTACTS	
NC-NORMALLY CLOSED OUTPUT CONTACTS	

MATERIAL:
Dimensions in millimetres : Surface texture in micrometres.
Machine where marked ✓
For explanation of dimensions, tolerances, notes etc. see B.S.308.
Limit on untoleranced unmachined dimensions ±
Limits on untoleranced machined dimensions to B.S.4500;
i.e. up to 6±0.1; over 30 to 120±0.3; over 315±0.8;
over 6 to 30±0.2; over 120 to 315±0.5;
General unmachined angular tolerance ±

Finish:	Title:	First used on:
Treatment:	TERMINAL ID & WIRING FOR FM1-2XX-XB (4CT,4VT,11SI,3CO,10NO) IN E12 VERTICAL CASE	Similar Articles:
	VATECH REYROLLE AUTOMATION, CONTROL & PROTECTION	Supersedes:
	Original Scale:	Drg. No. 2471W11003

Copyright © 2001 VATECH REYROLLE ACP Ltd. Hebburn

ISSUE	DATE	NOTED
4 ROW	13/08/03	MNS13/2440 MM
3	13/6/01	SEF CT INFORMATION ADDED
2	27/02/00	MODULE LABEL & POSTIN ADDED
1	14/02/01	CHANGE

Copyright © 2001 VATECH REYROLLE ACP Ltd. Hebburn

DRAWN MMATHER CHECKED MM APPROVED RDW DATE 13/6/01 IE OPS PCP Purch.Spec.1 TQ EAC CE STD A1

NOT SUBJECT TO UPDATE
ONCE COPIED / PRINTED
OR DOWNLOADED